

Maintenance instructions

To assure the lighting quality of this unique LED lighting concept there are a few instructions regarding the maintenance of this LED luminaire:

- Do not touch electronic components!
Electronic components are under high voltage.
Electronic components are ESD sensitive.
- During installation or when maintaining the luminaire please use static free gloves to avoid marks on the luminaire.
- To remove dirt and spots use the following:
 - o Dust: only use micro fiber cloths
 - o Fingerprints, etc.: use a cleaner for synthetic materials with antistatic properties.
- Do not stare into the LED light beam.
- To avoid scratches and dirt on optical parts remove protective foil after installation.
- The luminaire shall be installed by a qualified electrician and wired in accordance with the latest IEE electrical regulations or the national requirements.
- This luminaire should not be used for illumination during building activities due to dirt and dust contamination.



Arano LED - Free floor standing

FS642F LED I 14/840 PSD-T MLO-PC
FS644F LED I 14/840 PSD-T MLO-PC

FS642F LED I 14/840 PSD-T MLO-PC ACL
FS644F LED I 14/840 PSD-T MLO-PC ACL

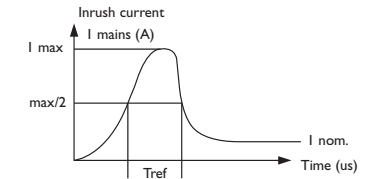
Installation instructions

Instructions de montage Instrucciones de montaje Kokooppano- ja kiinnitysohjeet Szerelési utasítások
Montageanleitung Instruções de montagem Montaj yönergesi Návod k montáži
Montage instructie Monteringsinstruktioner Οδηγίες συναρμολόγησης ИНСТРУКЦИЯ ПО МОНТАЖУ
Istruzioni di montaggio Monteringsvejledning Instrukcja montazu Návod k montáži

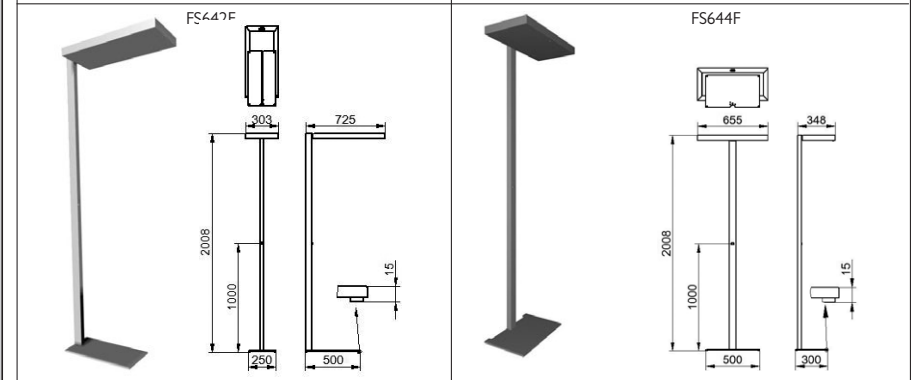


	kg	min	max	IP..	⊕	Cable length (m)
FS642F LED I 14/840 PSD-T MLO-PC	19,0	10	40	20	●	3,5
FS644F LED I 14/840 PSD-T MLO-PC	21,0	10	40	20	●	3,5
FS642F LED I 14/840 PSD-T MLO-PC ACL	19,1	10	40	20	●	3,5
FS644F LED I 14/840 PSD-T MLO-PC ACL	21,1	10	40	20	●	3,5

FFS Arano LED	
Inrush Current Peak	144 (max) A
Mains current pulse time half peak	1mS
Earth leakage current	0.7 (max) mA
Max luminaires on MCB(16A type-B)	10 max
Number of Luminaires connected to one 30mA residual current detector	10 max



Main dimensions (mm)





ACL - ActiLume



PAY ATTENTION

